



▶ Documentation Package for TT-AFM

Model ID: DO-2010

▶ Documentation Package for NP/SA/LS AFM

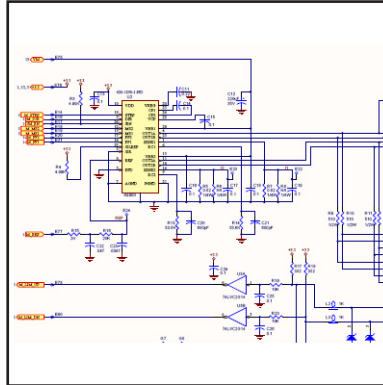
Model ID: DO-2012

AFMWorkshop **Documentation Packages** include all design information required to use the TT-AFM, NP-AFM, SA-AFM, or LS-AFM as starting platforms for: creating new instruments; creating new options for these AFM products; and/or for repairing these AFMs.

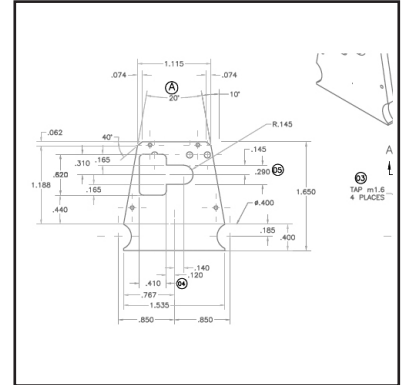
Documentation Packages include:

- Mechanical Drawings •
- Electronic Schematics •
- Software Interface Protocols •

Source code (VI's) written in a LabVIEW™ environment are also available upon customer request.



Schematics for the Ebox control board are included with the documentation package.



Hard copies of all mechanical drawings are included with the Documentation Package. Upon request, .pdf and .dwg versions of specified drawings are available.

Contents of the documentation package:

- | | |
|--------------------------|---------------------------------|
| 1.0 Parts List | 3.3 Power Supply Board |
| 2.0 Mechanical Drawings | 3.4 Stage Interface Board |
| 2.1 Component Drawings | 3.5 Piezo Board |
| 2.2 Assembly Drawings | 4.0 Cable Drawings |
| 3.0 Schematics | 5.0 Software Interface Protocol |
| 3.1 AFM Controller Board | 6.0 Hardware List |
| 3.2 Photodetector Board | |

The technical information provided in the Documentation Package is intended for use by AFMWorkshop customers and may not be used for commercial purposes without the written permission of AFMWorkshop. Every attempt is made to keep the information in the Documentation Packages up to date. However, due to circumstances beyond AFMWorkshop control, there may occasionally be some discrepancy between the designs presented in Documentation Packages and the design of parts used in the TT-AFM, NP-AFM, SA-AFM, or LS-AFM.